

PROJECT:	TYPE:
LOCATION:	CAT:

Description

Flexible LED linear lighting that mimics the look of neon in a brighter, longer lasting format that consumes less power

Features

- Omni-directional light emits from 3 sides
- PU construction provides excellent UV, salt water, chlorine, high temperature, and impact resistance
- Weatherproof IP67 outdoor rating
- Quick-ship skus or special order options

Mounting

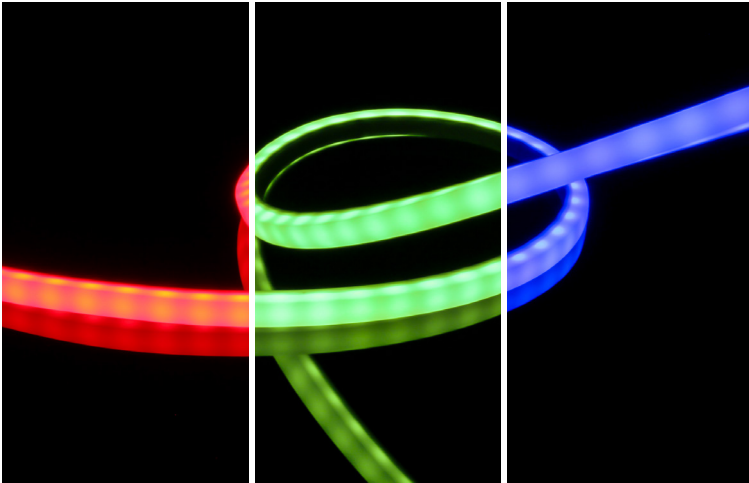
Aluminum channel or mounting clips

Applications

Outlining building facades and roof-lines, columns and pillars, coves and eaves

Warranty

5 Years

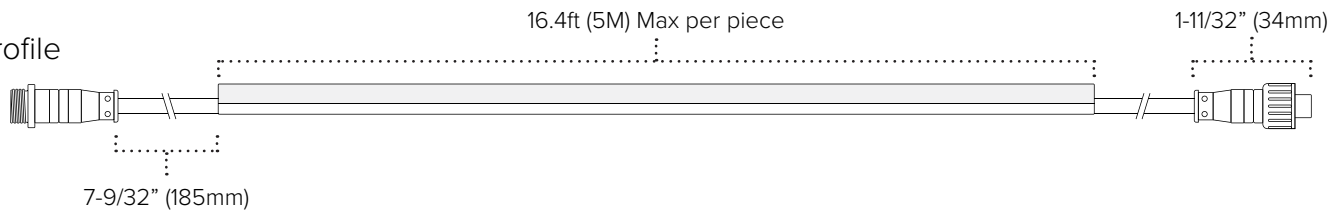


Technical Information

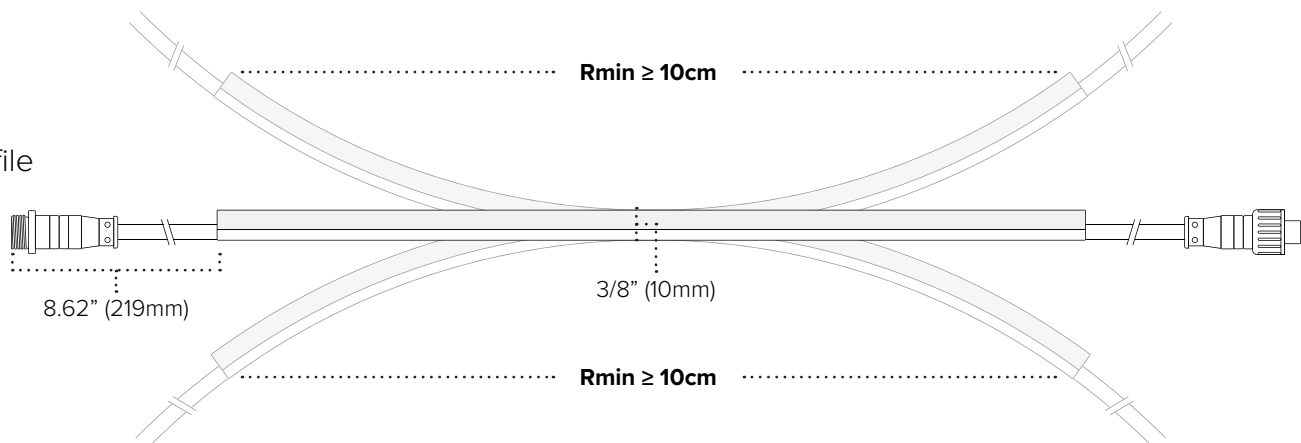
Input Voltage	24V DC Constant Voltage
Max Current	0.416A per meter / 0.127A per foot
Max Power	10W per meter / 3.05W per foot
Color	RGB
Lumens	91Lm/ft
Cut Increments	83.33mm (3.28")
Max Run	10 meters (32.8 feet) interconnected
Dimming	Requires RGB Control
Ambient Temp	-30°C (-22°F) to 80°C (176°F)**
Rating	cETLus Listed; Indoor/Outdoor; IP67
Rated Life	50,000 Hours

*Minimum loads may apply. Per the NEC, switched wall outlets cannot be used with wall dimmers. **Do not install during inclement weather or extreme temperature conditions (i.e. -25°C (-13°F) and below)

Side Profile



Top Profile

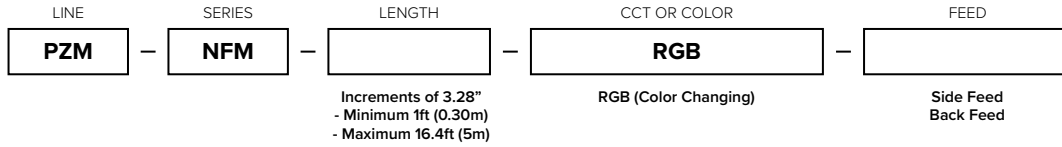


Quick-Ship Order Information

FIXTURE	ITEM NUMBER
4FT OMNILUX RGB	PZM-NFM-4-RGB
8FT OMNILUX RGB	PZM-NFM-8-RGB
ACCESSORY	ITEM NUMBER
4FT ALUMINUM CHANNEL FOR OMNILUX	PZM-NFM-CHAN-4
1FT 4PIN LINKING CABLE FOR OMNILUX RGB	PZM-NFM-4JUMP1
10FT 4PIN LINKING CABLE FOR OMNILUX RGB	PZM-NFM-4JUMP10
BAG OF 2 MOUNTING BRACKET FOR OMNILUX	PZM-NFM-CLIPS
BAG OF 10 END CAPS FOR OMNILUX	PZ-NFM-END

Special Order Information

Please allow 12-16 weeks for special order items



Recommended Power Supplies

SERIES	RATED POWER AVAILABLE
LED-DR Series	30W, 60W, 96W, 150W
ADPT-DRJ Series	30W, 60W, 96W