

PROJECT:	TYPE:
LOCATION:	CAT:



Description

The Flange Slot is designed to be used in drywall and other flat surfaces during remodeling or new construction. 3/8" flanged edges on either side nearly disappear for a clean line-of-light look.

Features

- Extruded aluminum construction
- Use tape light, lens, spring clips, and end caps to create a complete fixture (tape light and accessories sold separately)

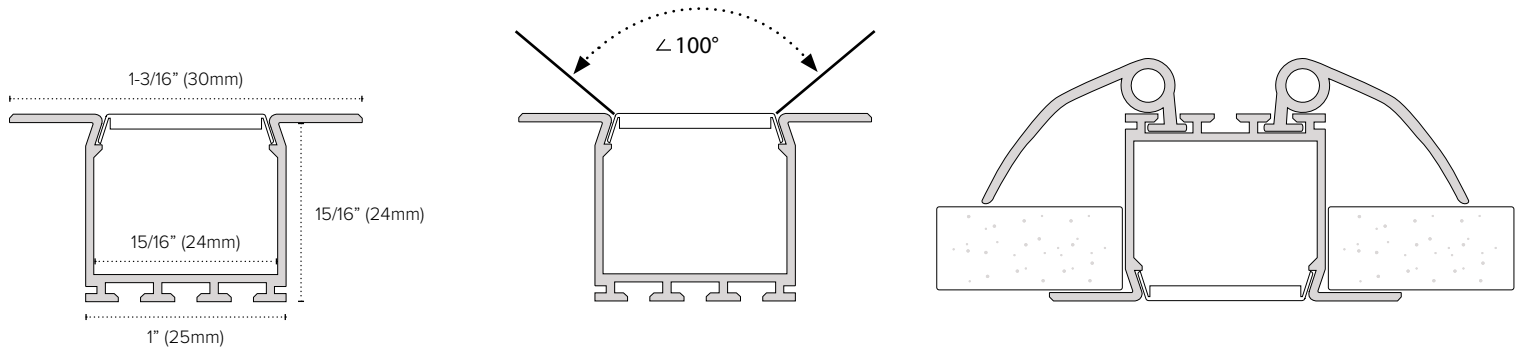
Mounting

Recess mount via spring mounting clips

Applications

Lines of light across walls, ceilings, and other flat surfaces

Profile Dimensions



Ordering Information

Part Number	Description
PE-DFSLOT-2M	Flange Slot Aluminum Channel
PE-SLOTLENS-2M	Frosted Polycarbonate UV Resistant/Flame Retardant Lens
PE-DFSLOT-END	Flange Slot Polypropylene Plastic End Cap
PE-DFSLOT-CLIP	Flange Slot Spring Mounting Clips

*Standard flange slot is available as special order only.
For special orders, please contact us at: Quotes@PrizmLighting.com